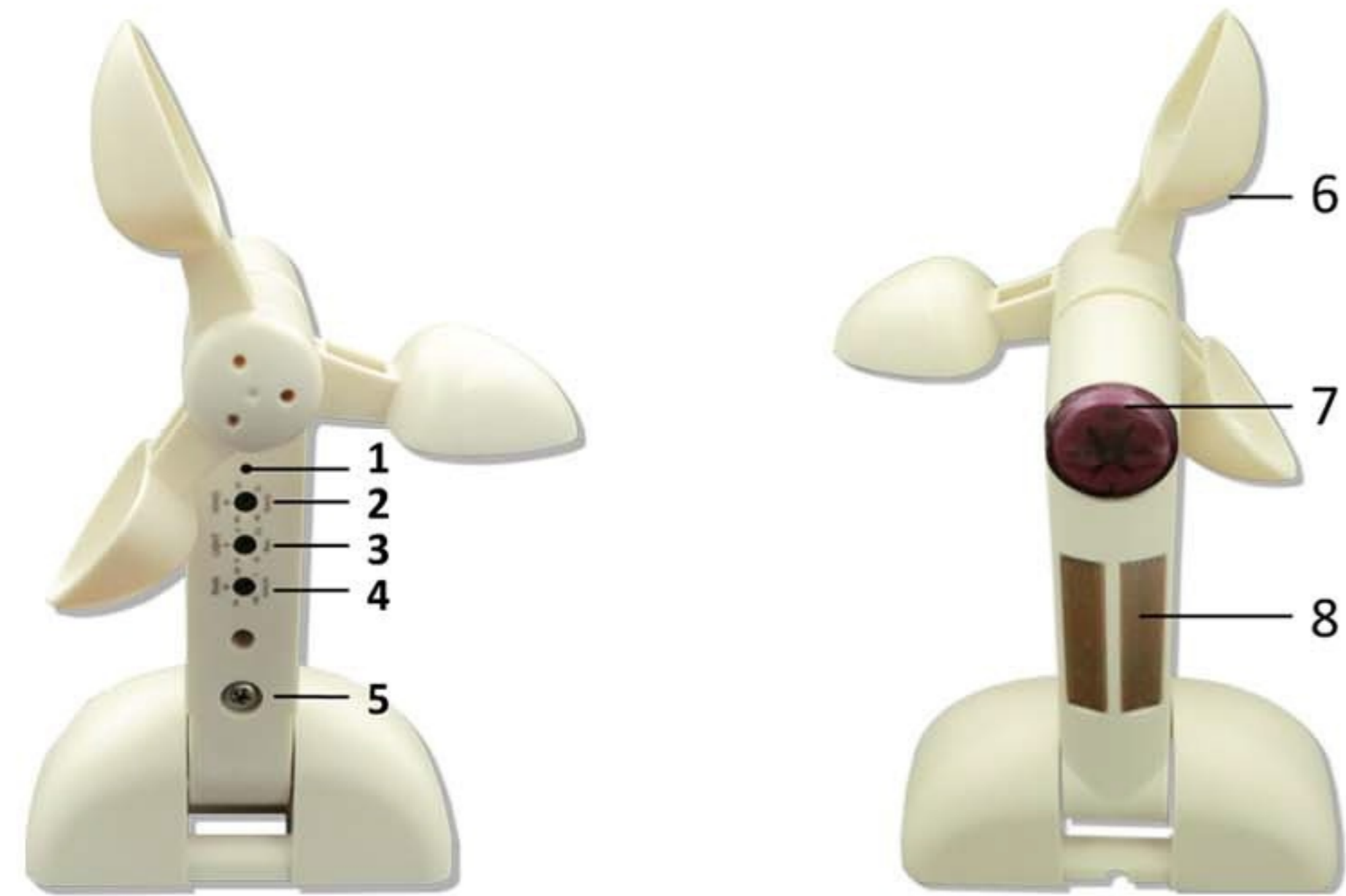


WIRE WIND/LIGHT/RAIN SENSOR
WIRELESS WIND/LIGHT/RAIN SENSOR



1	2	3	4	5	6	7	8
Matching code key	Wind adjustment	Light adjustment	Rain adjustment	Fixed screw	Wind Sensor	Light Sensor	Rain Sensor

Feature

- Made by low-power and high-speed CMOS technology.
- Strong anti-interference ability.
- UV material plastic cover, be suitable for outdoor installation.
- Wind sensor parts utilize double stainless bearings to ensure high sensitivity.
- Laser printing on adjustment knob, clearly look and lasting adhesion.
- 3 optional installation ways.
- Precise strength adjustment, more sensitivity.

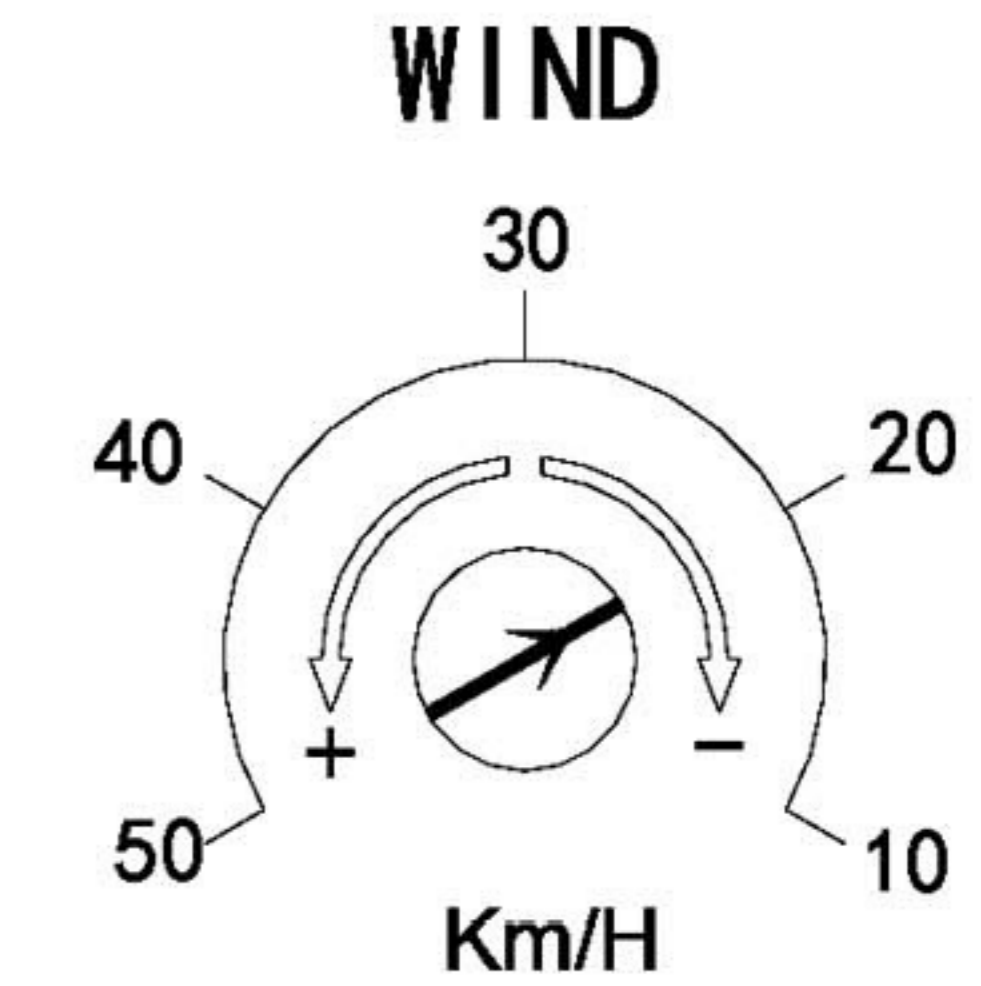
Specification

Ordering Code	Wiring	Input Voltage	Working Frequency	Receiving Sensitivity	Working Temp
AC301	Wired	DC12V	---	----	-20 ~ +65℃
AC302	Wireless	DC12V	433.92 MHz	-100 dBm	-20 ~ +65℃

Setting Sensor Value

Setting Wind Value

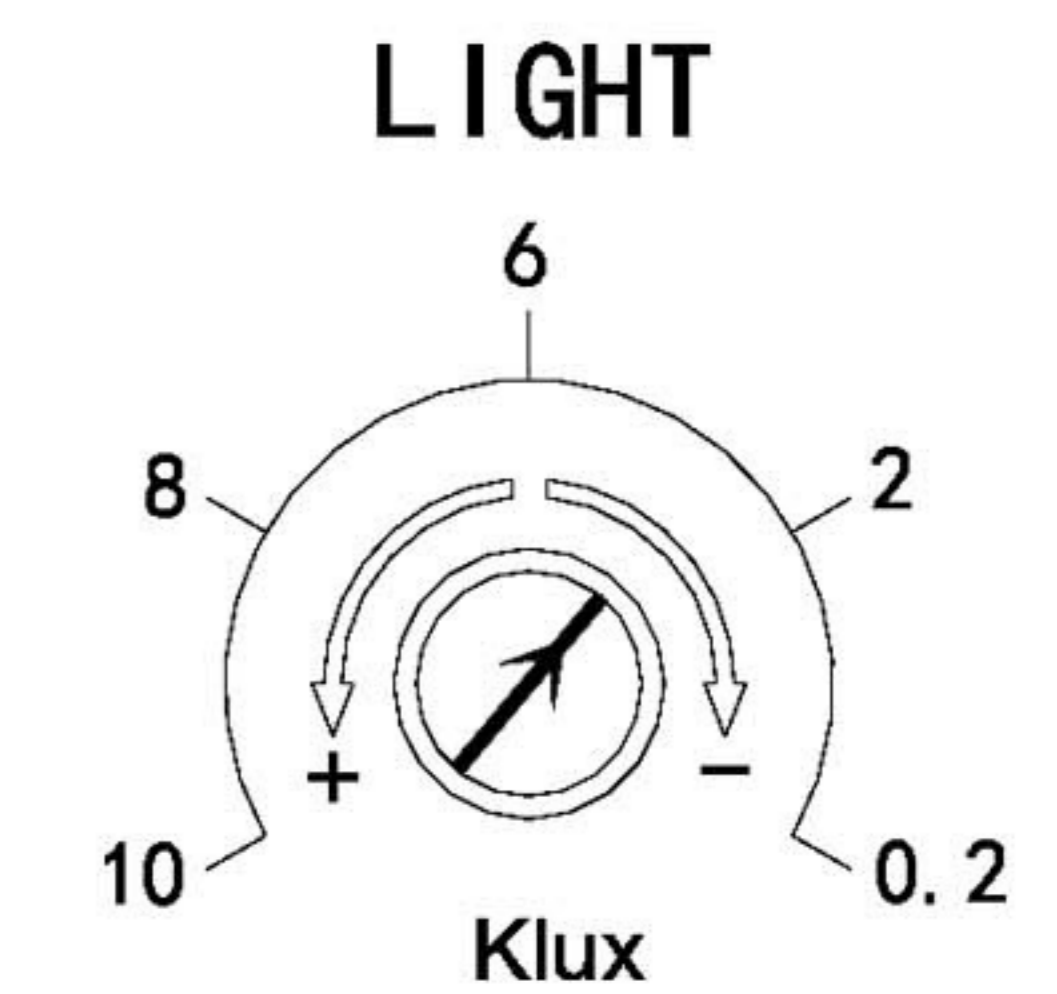
- Wind knob adjusts wind speed.
- Clockwise, reduces value.
- Counterclockwise, increases value.
- Wind speed range: 10~50KM/H.
- Response time: 3 seconds.
- When wind speed reaches the set value, wind sensor will transmit signal to the receiver to close the window.



Wind Speed	10KM/H	20KM/H	30KM/H	40KM/H	50KM/H
Wind Force	2 Class	4 Class	5 Class	6 Class	7 Class

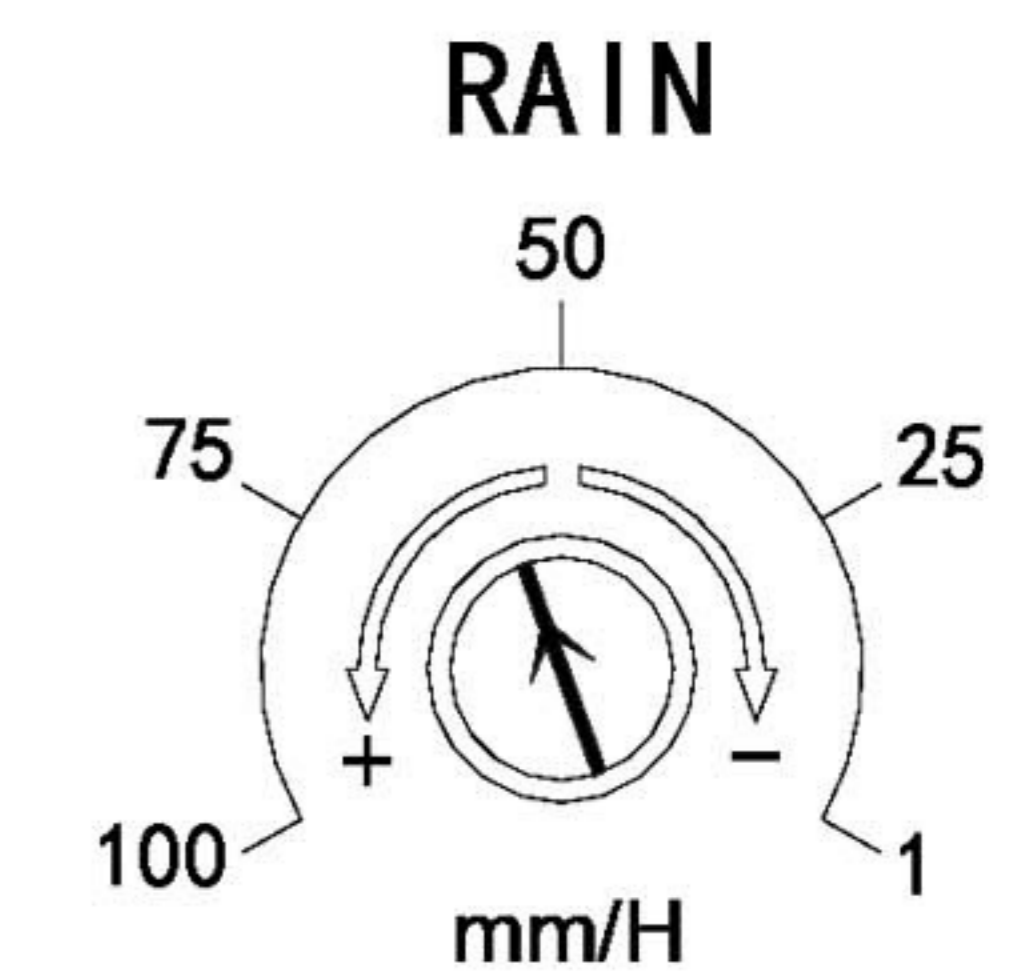
Setting Light Value

- Light knob adjusts light value.
- Clockwise, reduces value.
- Counterclockwise, increases value.
- Light value range: 0.2-10Klux.
- Response time: 120 seconds.
- When light reaches the set value, light sensor will transmit signal to the receiver to control the window.

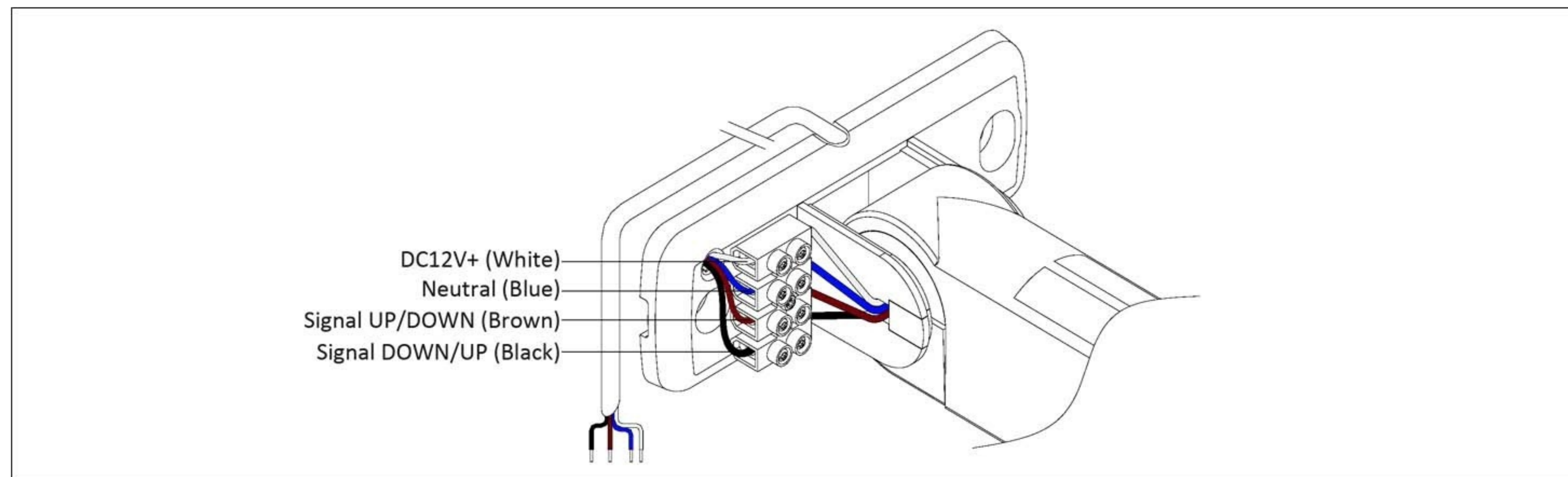


Setting Rain Value

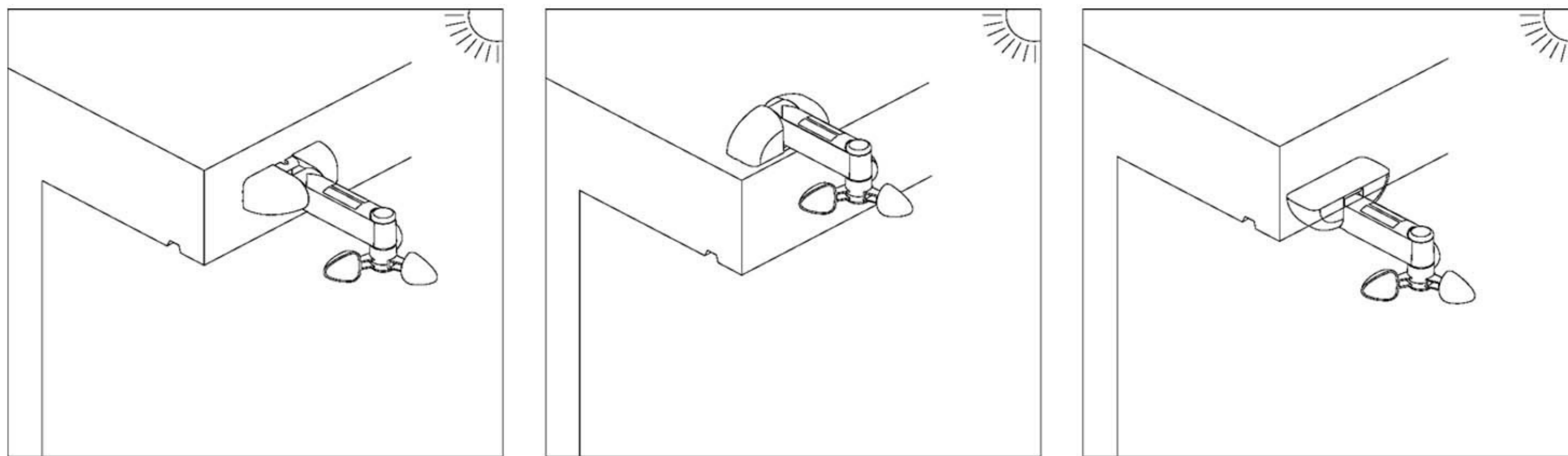
- Rain knob adjusts rain value.
- Clockwise, reduces rain value.
- Counterclockwise, increases value.
- Rain value range: 1-100mm/H.
- Response time: 25 seconds.
- When rainfall reaches the set value, rain sensor will transmit signal to the receiver to close the window.



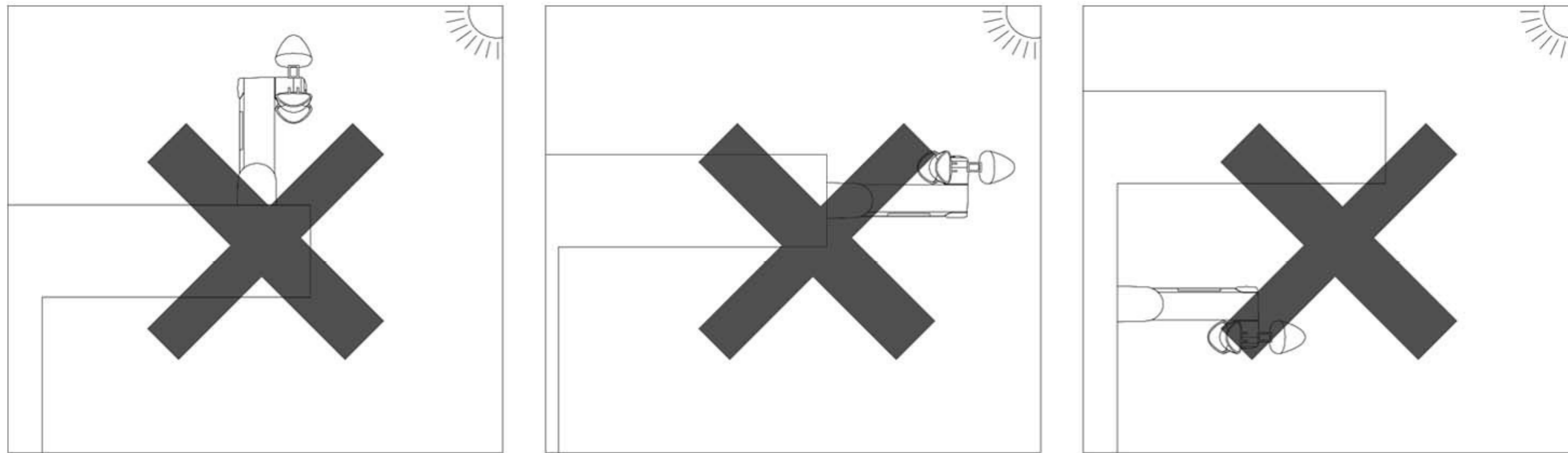
Wiring Description



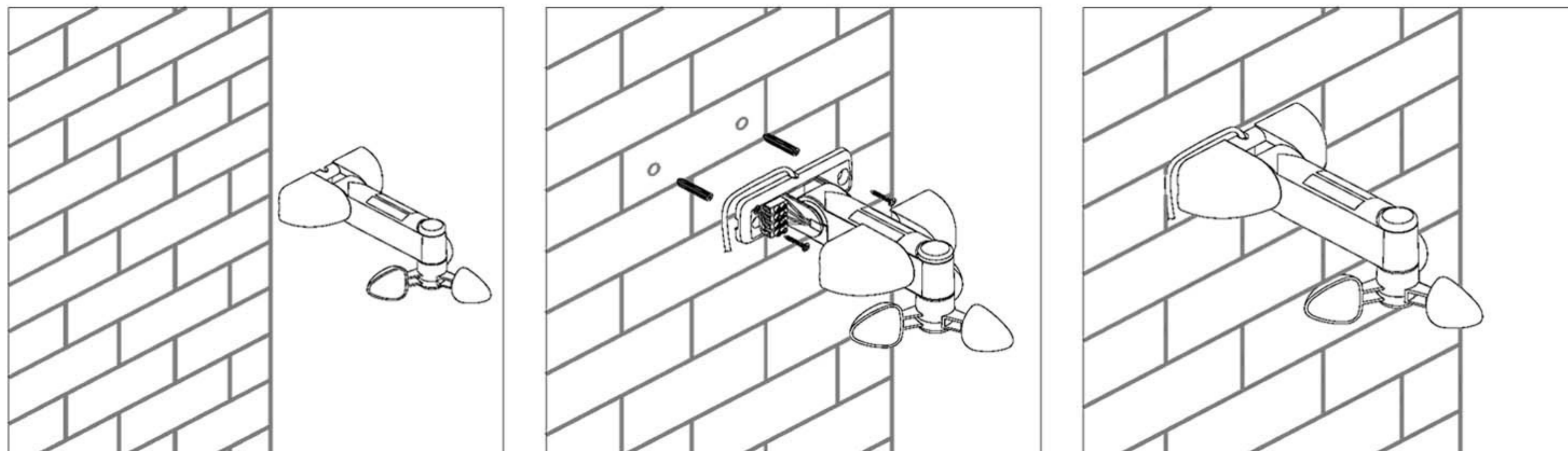
Correct Installation



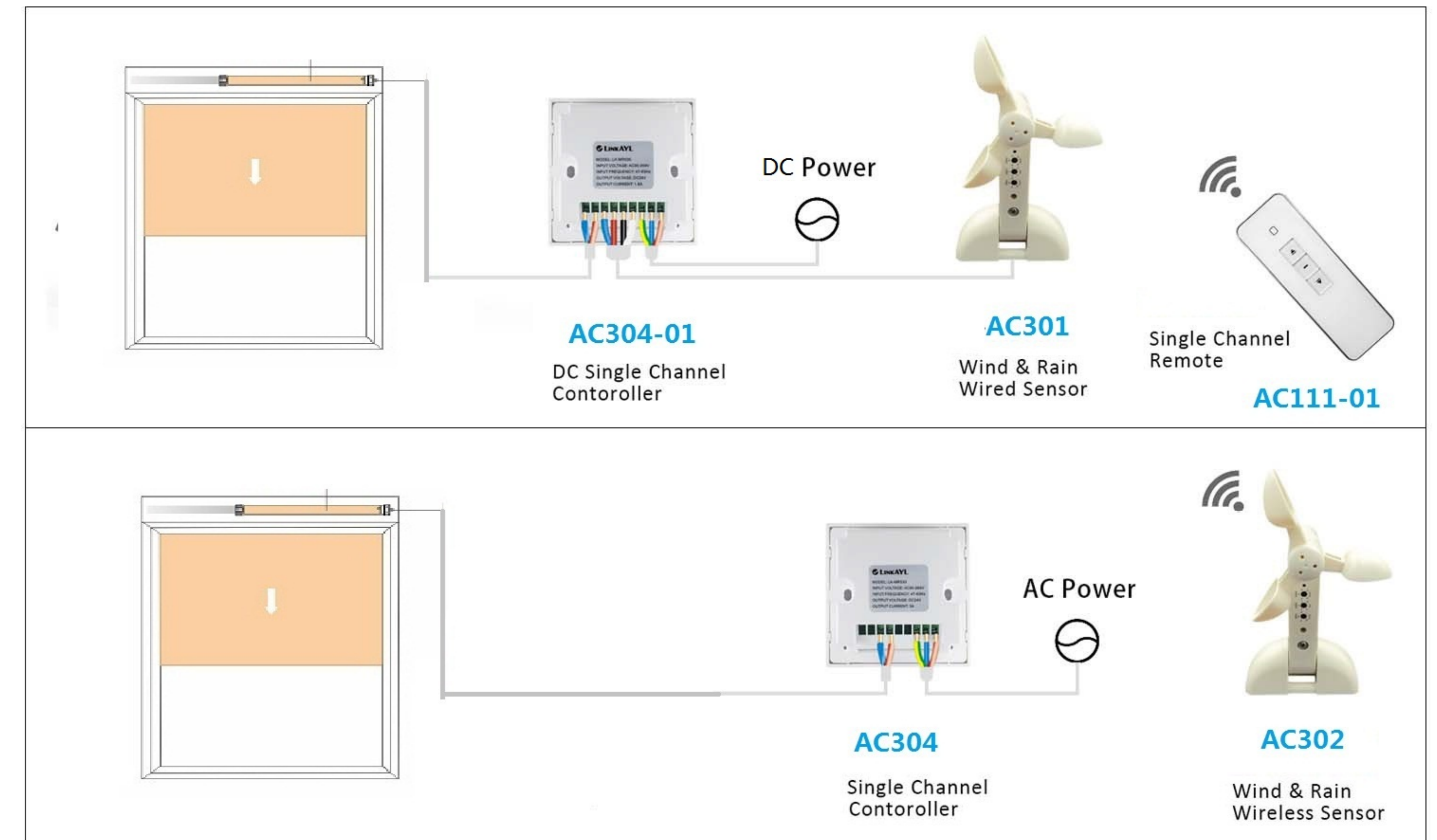
Wrong Installation



Installation Steps



Solution



Notes

- Sensor should be installed in appropriate position correctly, so that it can sense wind speed, light intensity and rainfall comprehensively, otherwise it could not work normally or be damaged.
- The induction parts of wind sensor, rain sensor and light sensor shall not covered by leaves or other barriers, otherwise may affect the sensors working normally even sensor will be invalid.
- The window can be closed by triggered wind/rain sensor automatically, but can not be opened by sensor after winding or raining.
- The LED will flash once when wind/light/rain sensors are triggered.
- When wind/rain sensors are triggered, light sensor can not be triggered in 15 minutes.
- To be convenient for production and for customer understanding product quickly, the sensor has the following Settings.
 - Wind knob is adjusted to the Min. value, the response time of opening is 3 seconds, the response time of closing is 18 seconds.
 - Rain knob is adjusted to the Min. value, the response time of rain sensor is 1 second.