

AC226-01 Radio Receiver Manual v1.0.2

I . Specification

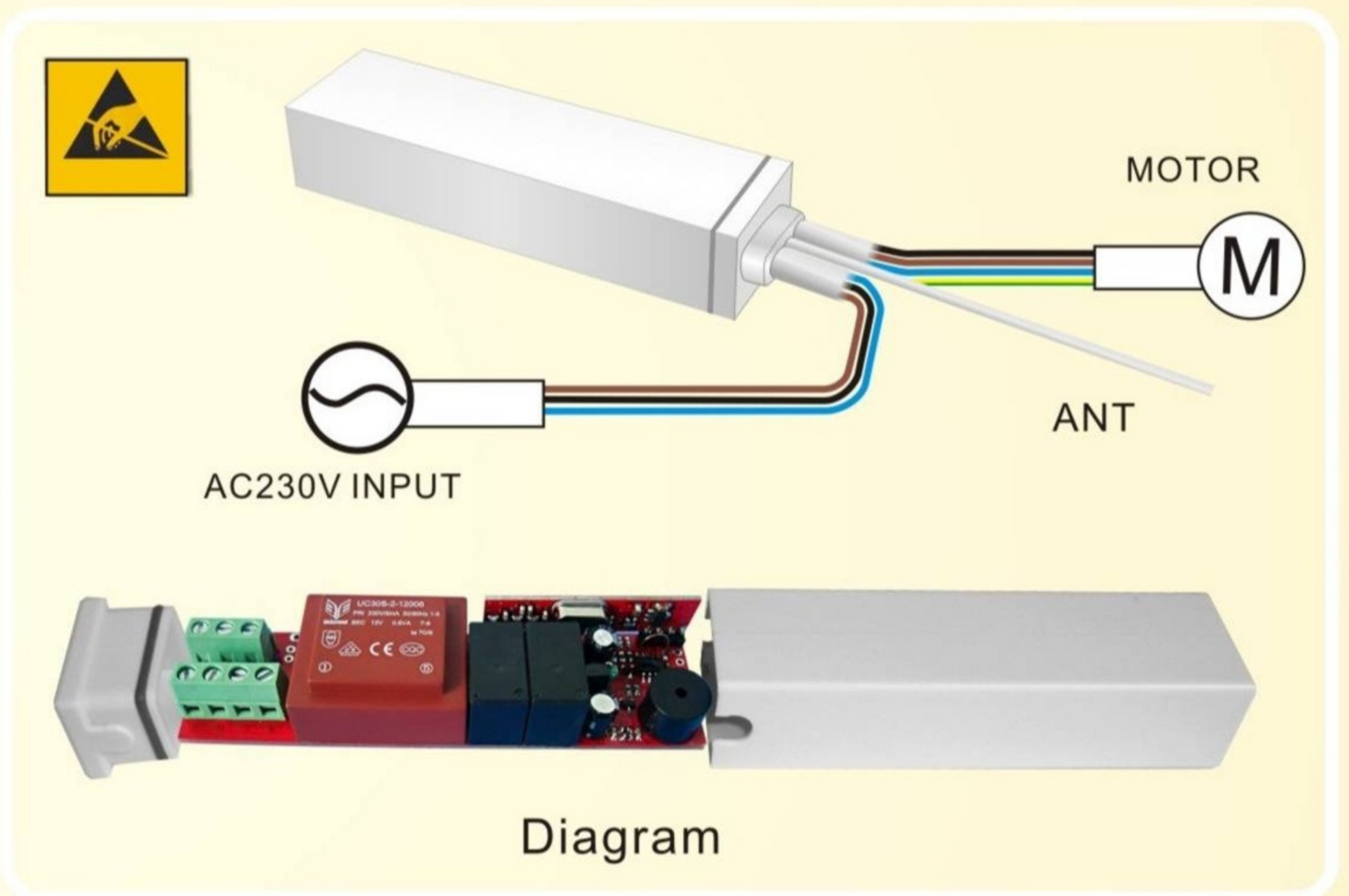
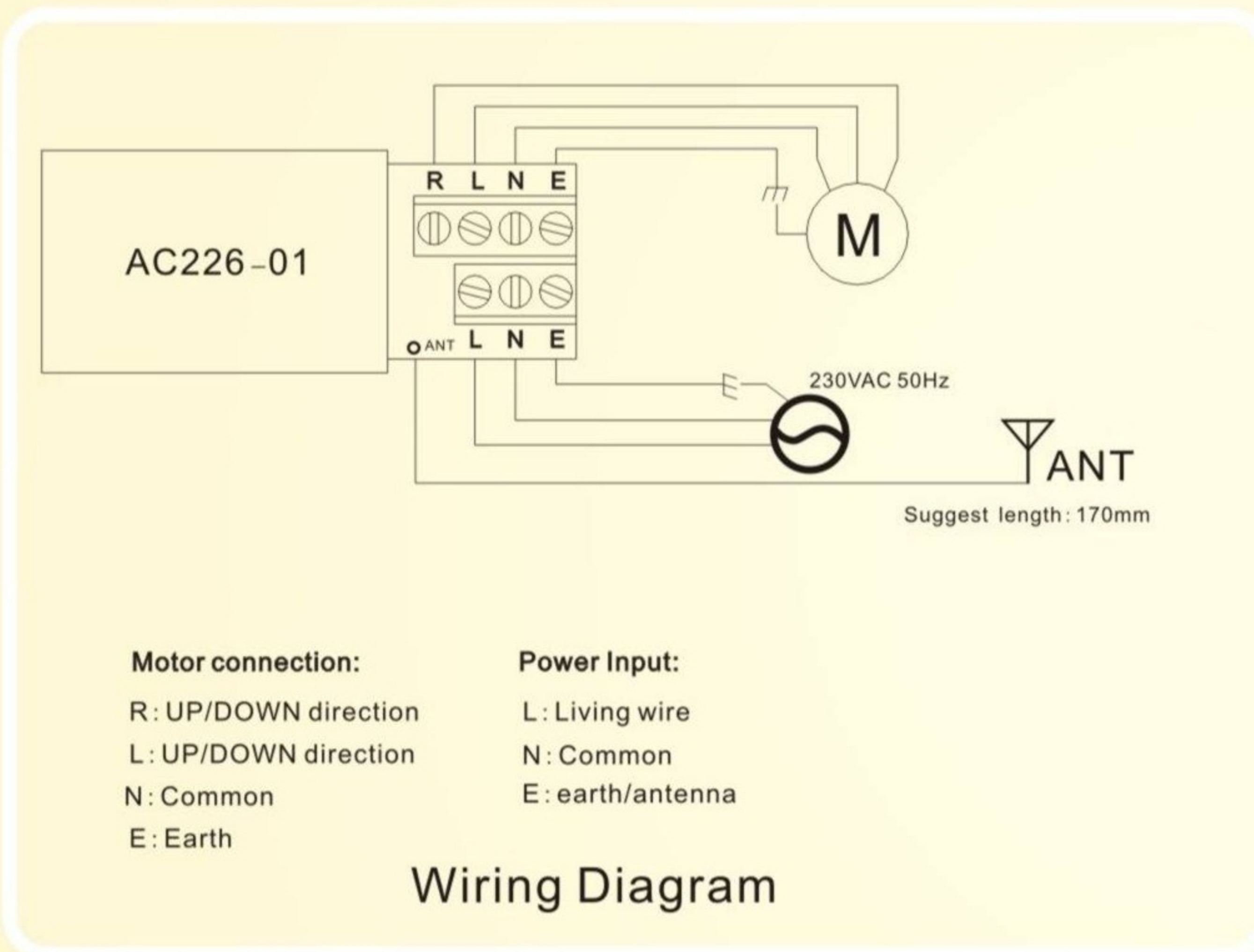
- With the function of changing direction, dot movement and continuous movement.
- Anti-jamming;
- Water proof design IP65 level
- Shock-proof relays;
- Industry standard CPU;
- SMT automatically assembly, damp-proof craft.



II . Parameters

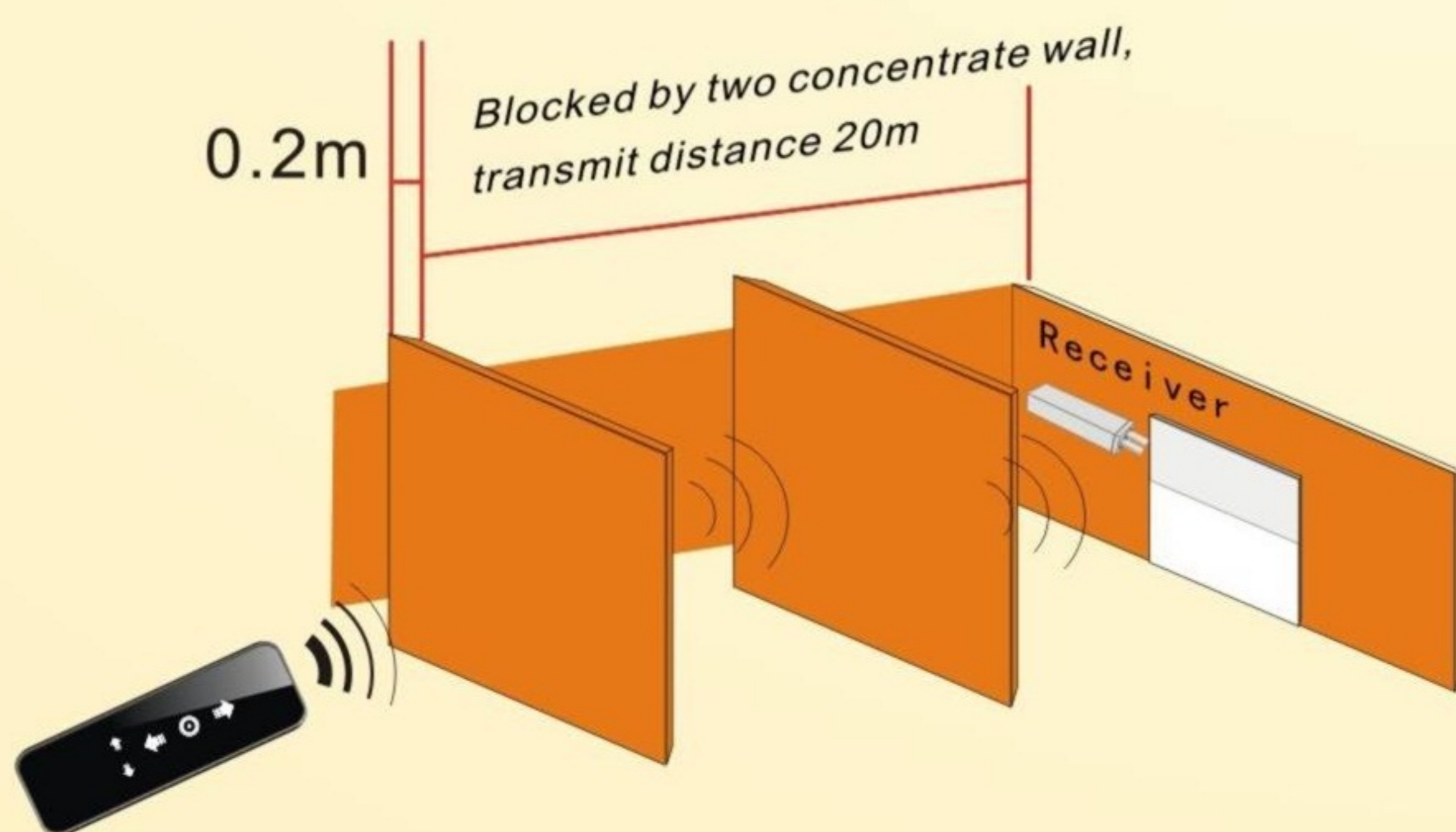
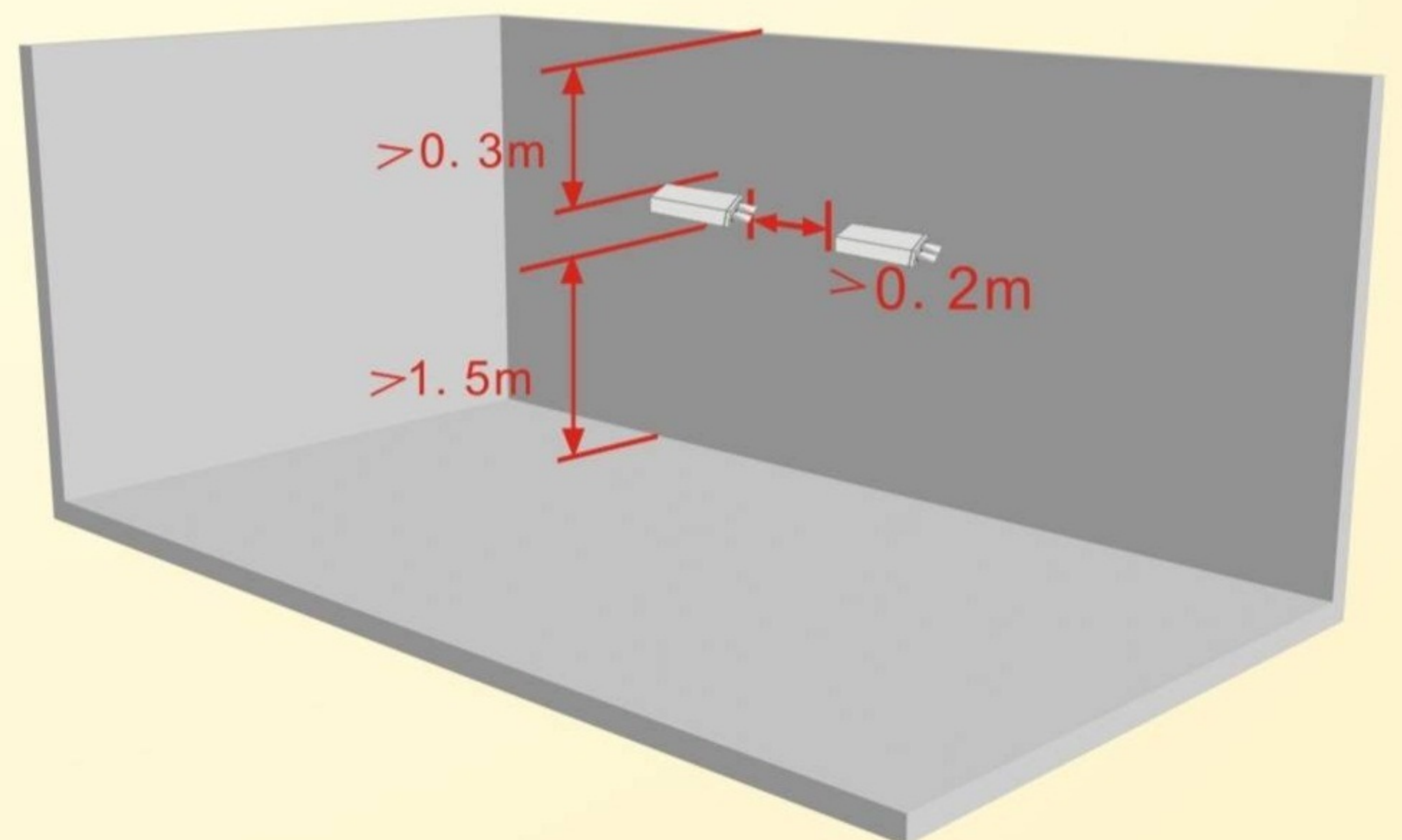
Model No	Voltage	Temperature	Loading Power	Frequency	Sensitivity	Memory Capacity	Operation
AC226-01	230VAC 50Hz Optional 120VAC 60Hz	-20°C~+60°C	≤ 500W	433.92MHz	-110dBm	≤20pcs	Remote

III. Installation and Wiring



! Remarks:

- Please obey below rules on the basic of effective electricity allowance;
- Keep receiver far from metal parts;
- Operation distance 80m in the open air;
- Min distance between receiver and floor: 1.5m;
- Min distance between receiver and ceiling: 0.3m;
- Min distance between receiver and receiver: 0.2m;
- Do cut offer power supply before installation;
- Avoid static electricity which could damage some electronic components;
- Use flexible cables
- Ensure that no longitudinal forces act on the cable carriers.



IV. Operation instructions

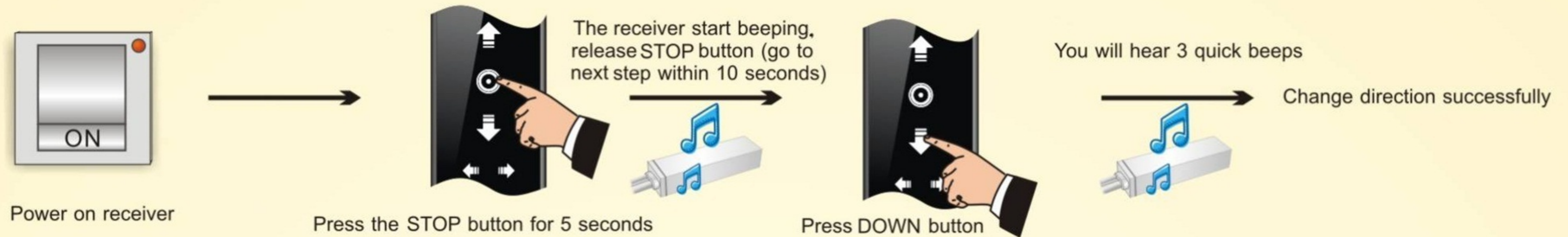
* Max motor running time is 5 mins, switch up & down delay time is 0,5 second

1.Program



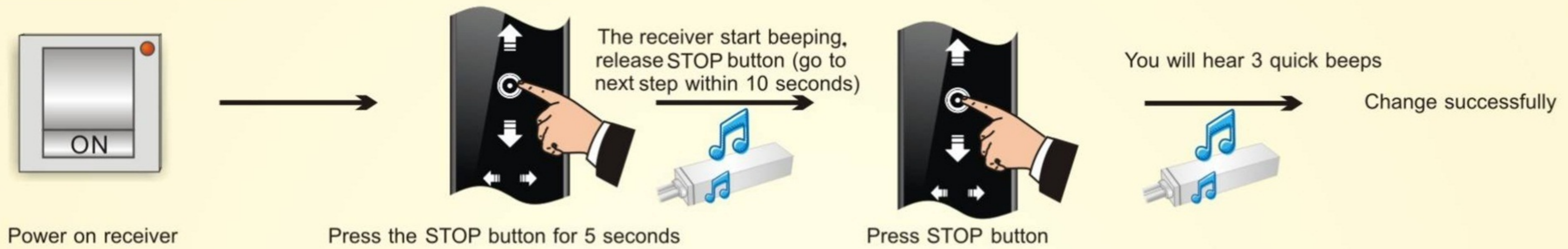
2.Change motor direction

* If the motor work on the incorrect direction, you need to change direction



3.Change Dot move/continuing move

Remark: function operation under the dot move mode: Press the up or down button more than 1.5 seconds, The motor move continually ; Press the up or down button less than 1.5 seconds, The motor move in dot mode;



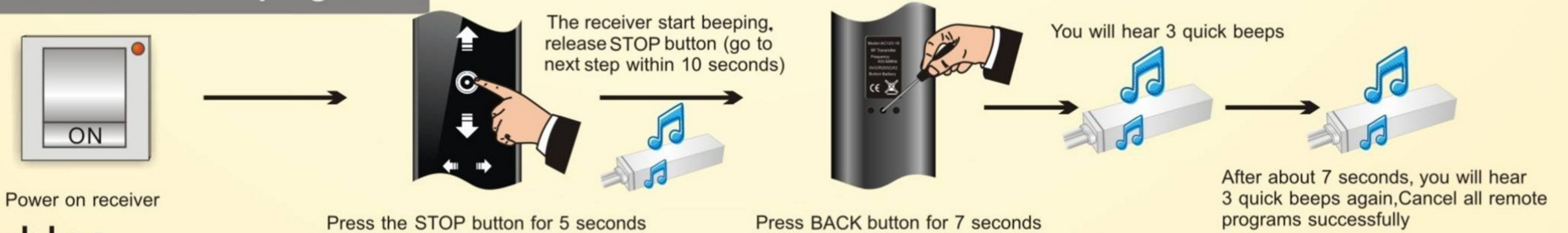
4.Add new transmitter



5.Cancel single remote program



6.Cancel all remote programs



VI. Troubles

No.	Troubles	Solutions
1	When press button on transmitter, the matched receiver have not any action	Please check the connection and the receiver or check the program setting.
2	LED light on transmitter is weak or even die out	Please check the battery inside transmitter and make sure the right installation battery, or change new battery
3	LED light on transmitter works well, but motor does not work or run in the opposite direction	Please check the motor wiring and make sure the correct connect